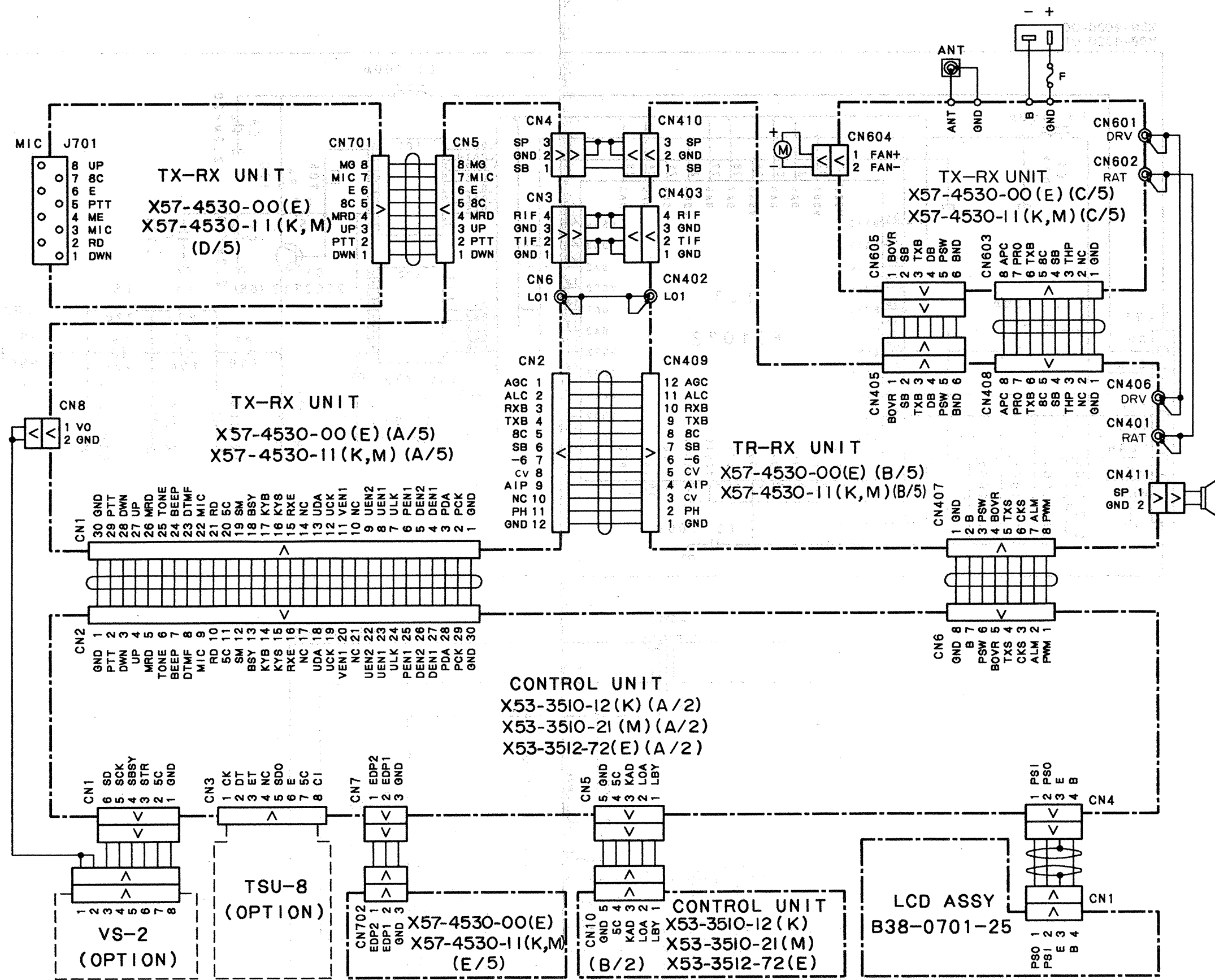
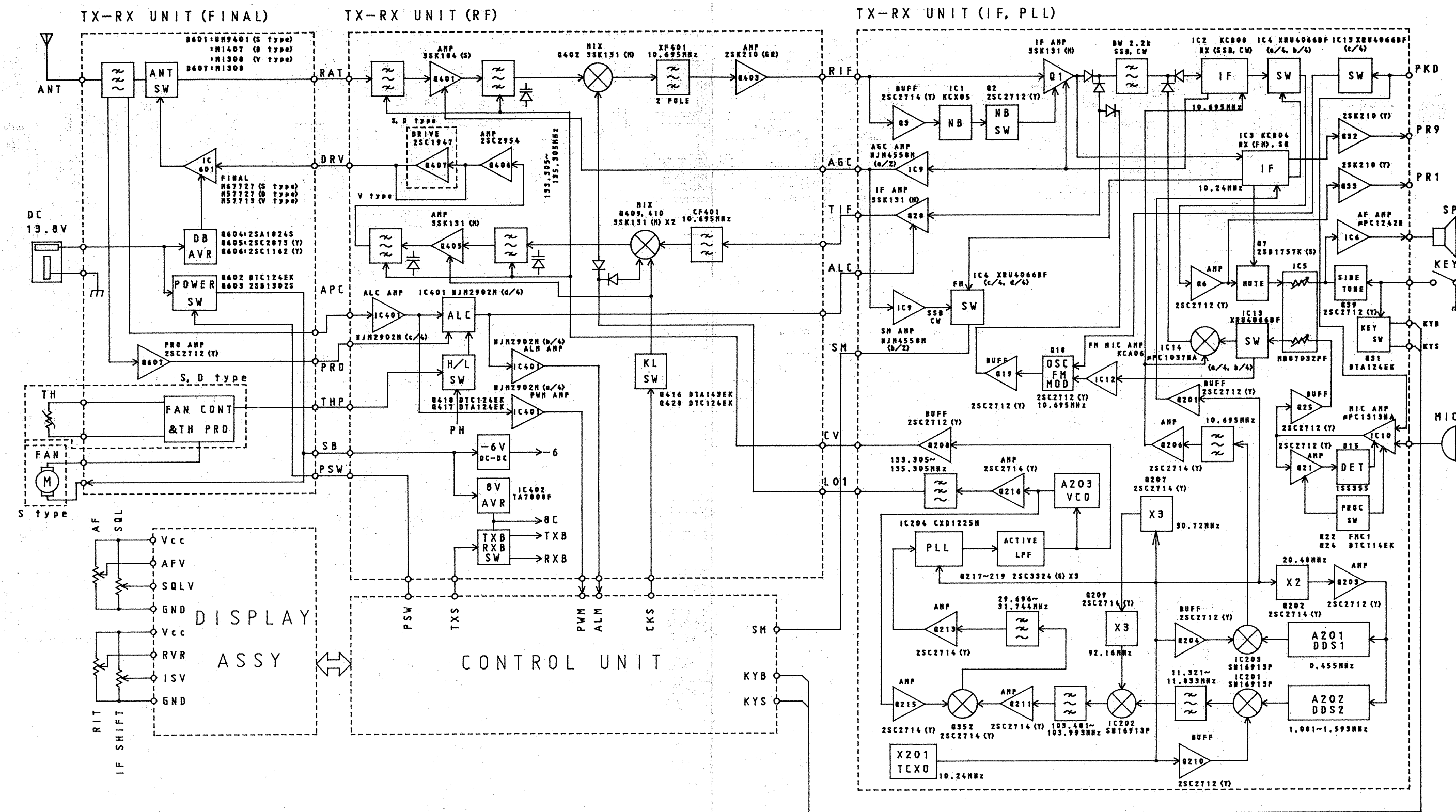


BLOCK DIAGRAM



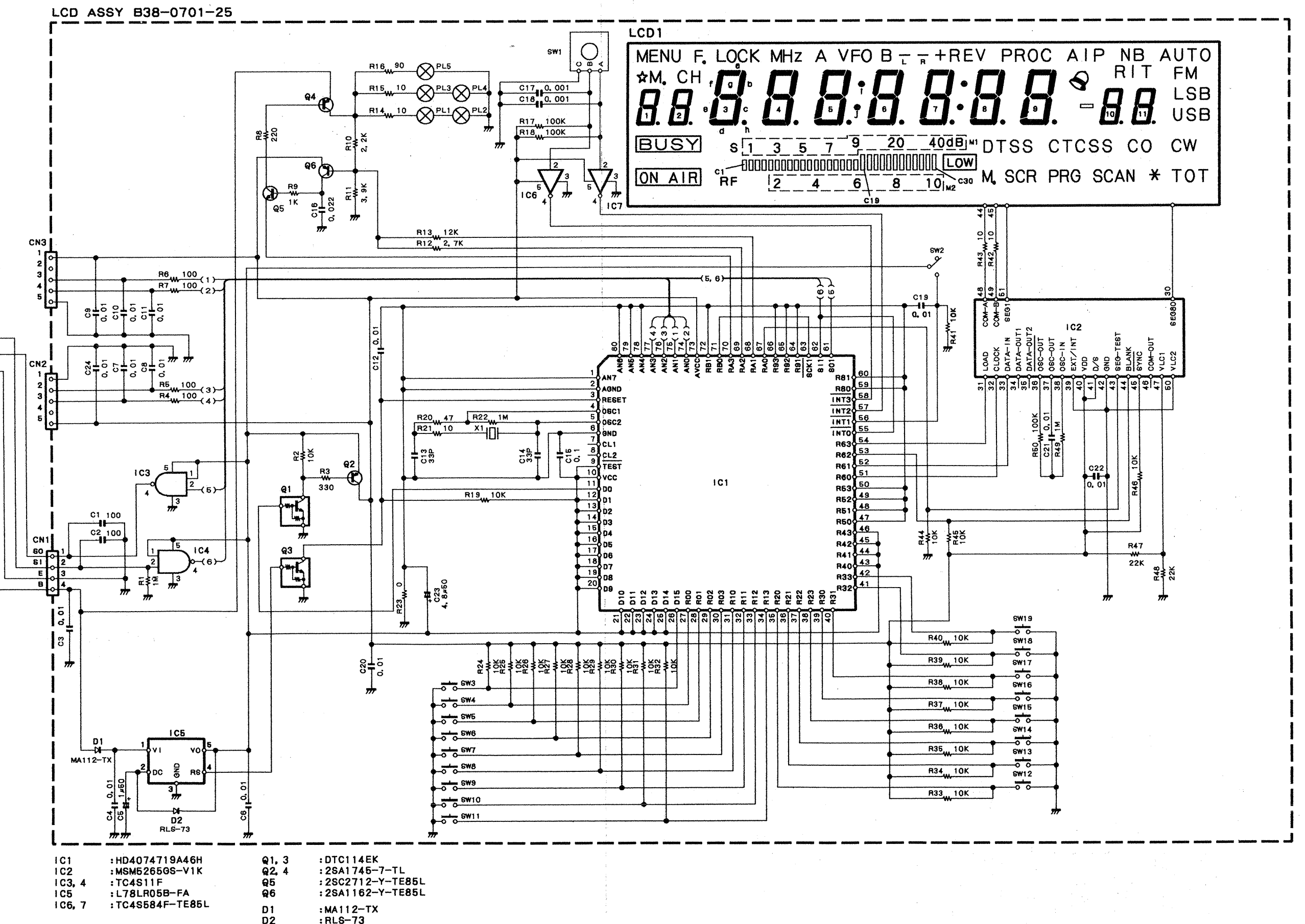
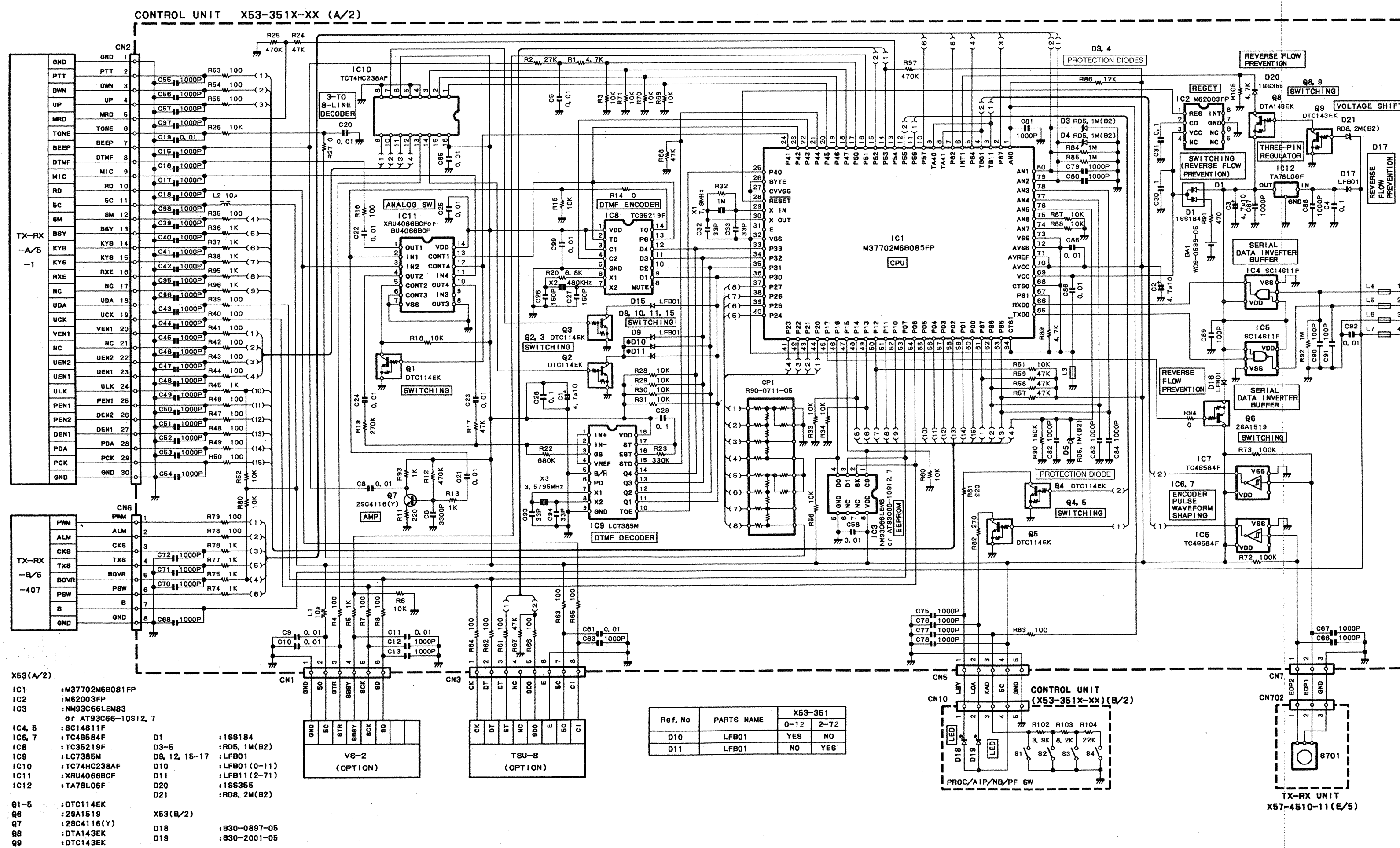
TM-255A/E



TM-255A/E

Note: Circuits are subject to change without notice due to advancements in technology.

SCHEMATIC DIAGRAM (1/3)



TM-255A/E (1/3)

Note: Circuits are subject to change without notice due to advancements in technology.